



Simplicity Bubblers
Chilled Beverage Dispensers 2x9 L+1x18 L, agitator model with locking lid and UK plug

ITEM # _____

MODEL # _____

NAME # _____

SIS # _____

AIA # _____



CCCRKY (ECS3D22UK) * NOT TRANSLATED *

Main Features

- Agitation function for fresh juices, coffees, or teas with minimal foaming system.
- Easy-off bowl release system for faster and easier assembly and disassembly.
- User friendly design enables machine to dispense product till the very last drop.
- Dispense 3 flavors in (2) 9 L and (1) 18 L easy-clean bowls with 23 cm cup clearance.

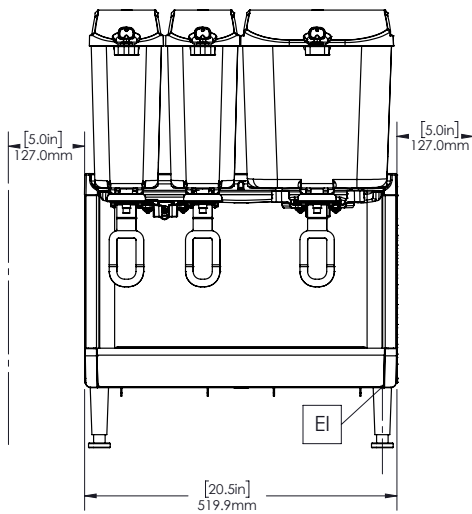
Construction

- Pre-mix dispenser with stainless steel base and clear plastic bowls.
- Fewer removable parts to simplify cleaning and reduce maintenance.
- Temperature range from 1.7 - 5° C.
- Compact size of 52 cm wide saves valuable counter space.
- The air intakes from the bottom and exhaust to back.
- Locking lid for added safety against tampering.
- Refrigerant type: R290.

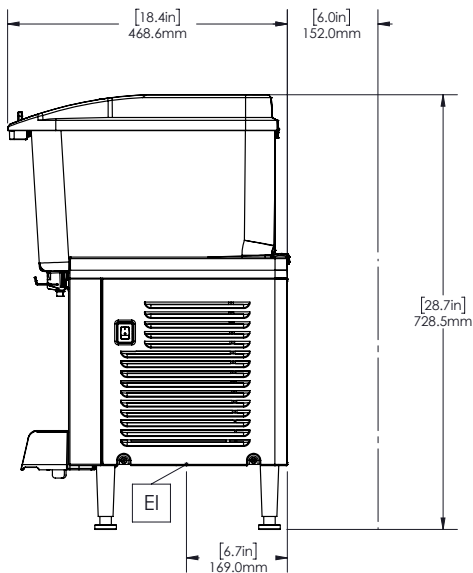
APPROVAL: _____



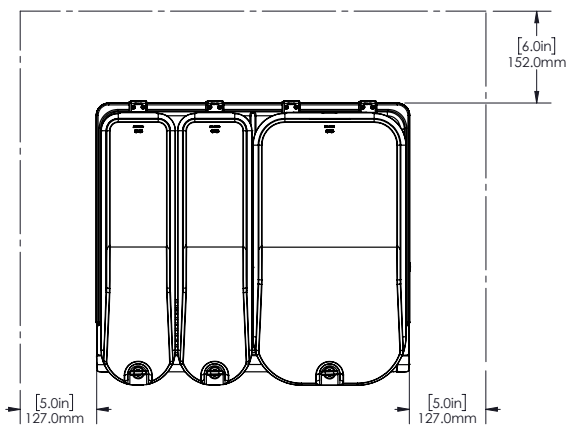
Front



Side



Top



Electric

Supply voltage:

CCCRKY (ECS3D22UK) 220-240 V/1N ph/50/60 Hz

Electrical power max.:

0.6 kW

Key Information:

| | |
|------------------------------|--------|
| External dimensions, Width: | 521 mm |
| External dimensions, Depth: | 451 mm |
| External dimensions, Height: | 729 mm |
| Net weight: | 32 kg |
| Shipping weight: | 24 kg |
| Shipping height: | 530 mm |
| Shipping width: | 380 mm |
| Shipping depth: | 480 mm |

Sustainability

Refrigerant type: R290

Refrigerant weight: 85 g